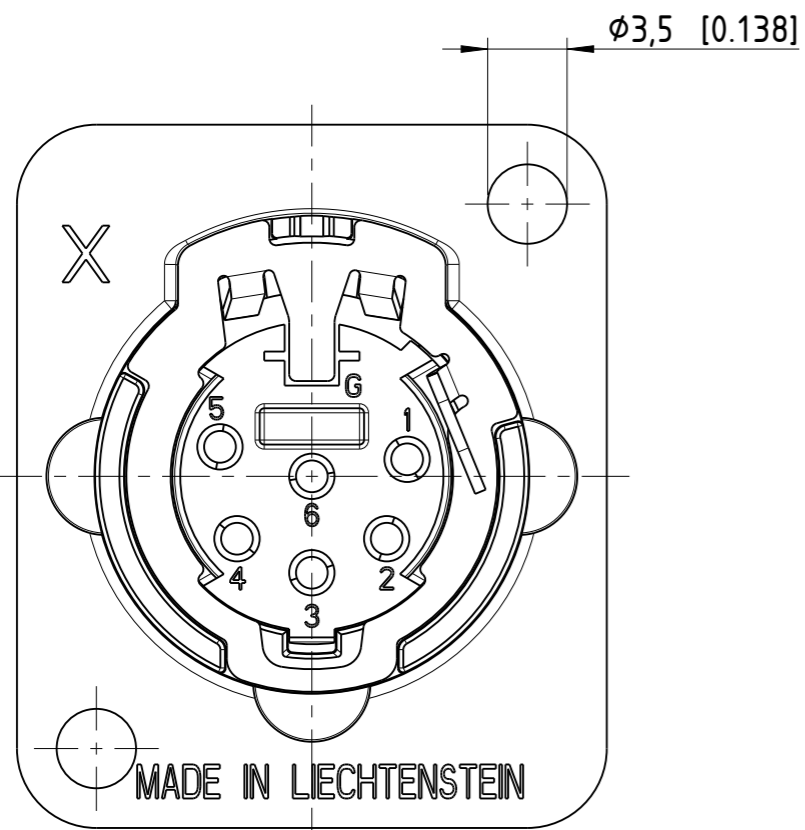
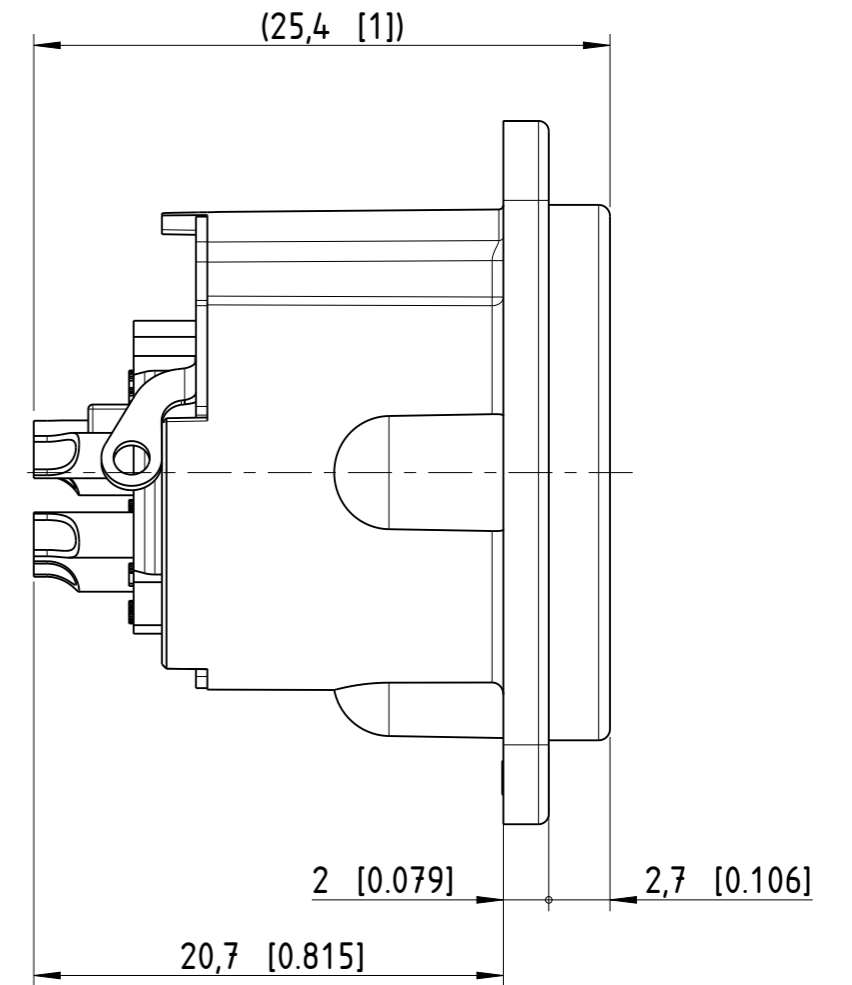
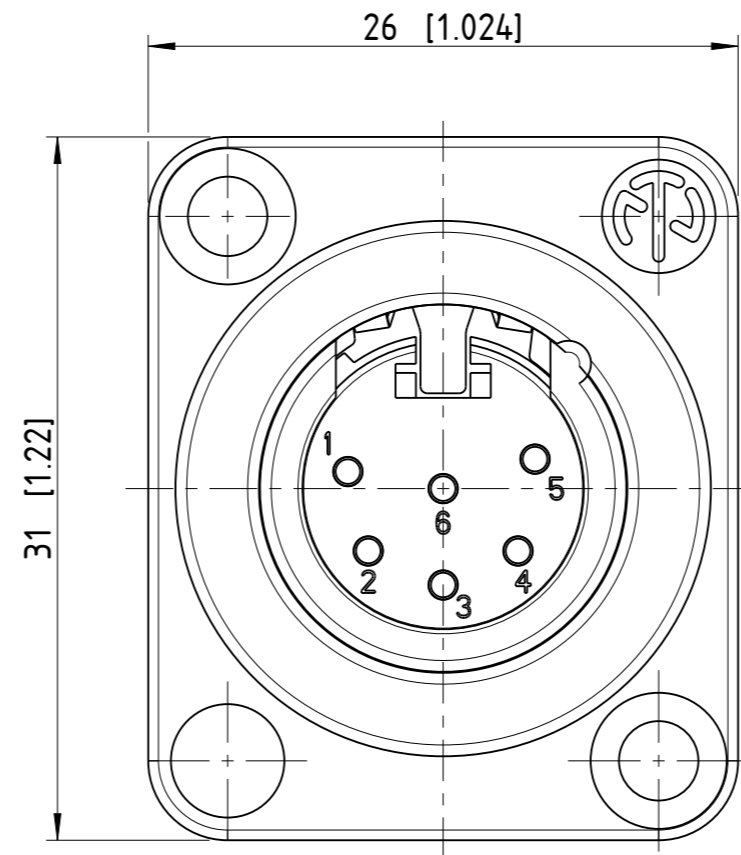
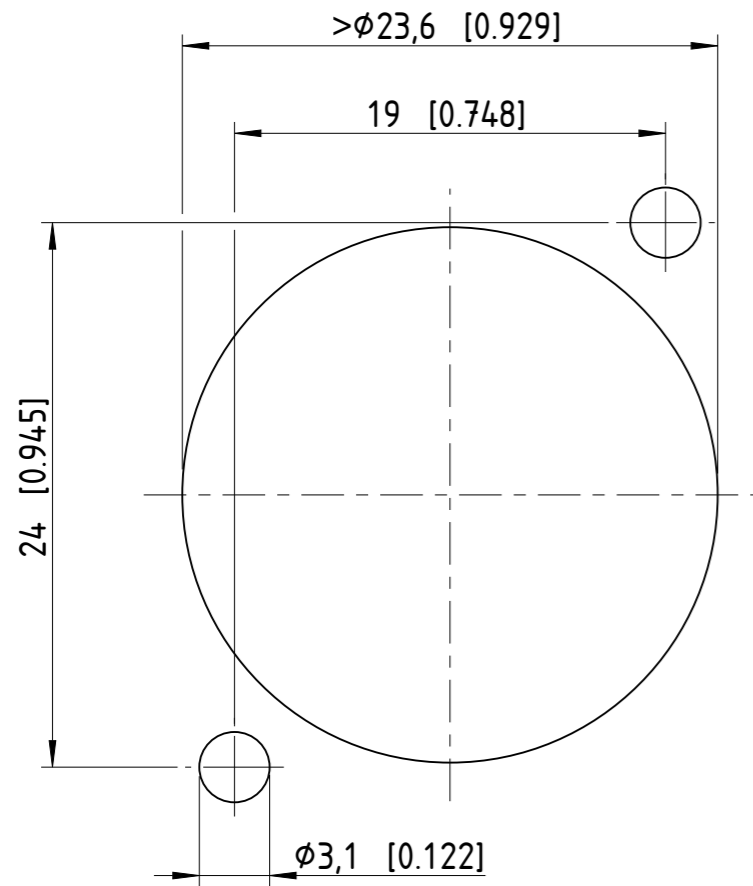


Frontplattenausschnitt (Rückseite)
panel cut out (rear side)



Sheet Number 1/1	Projection 	Scale 3:1	Format A3	General Tolerancing ISO 2768 mK	
Description			Created on/by	19.06.2006	Ender N.
NC6MSD-LX			Approved on/by	06.04.2023	Schmiedl T.
			Article ID	Model ID	Drawing ID
Status			Revision	ECN Number	Neutrik Group
Released			-		