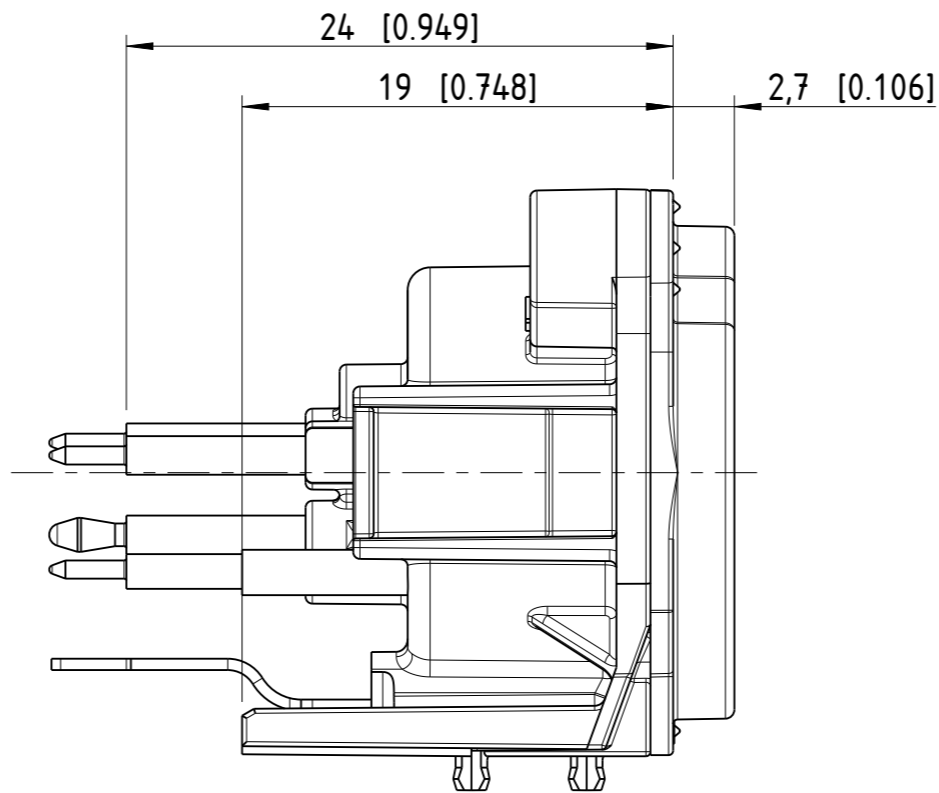
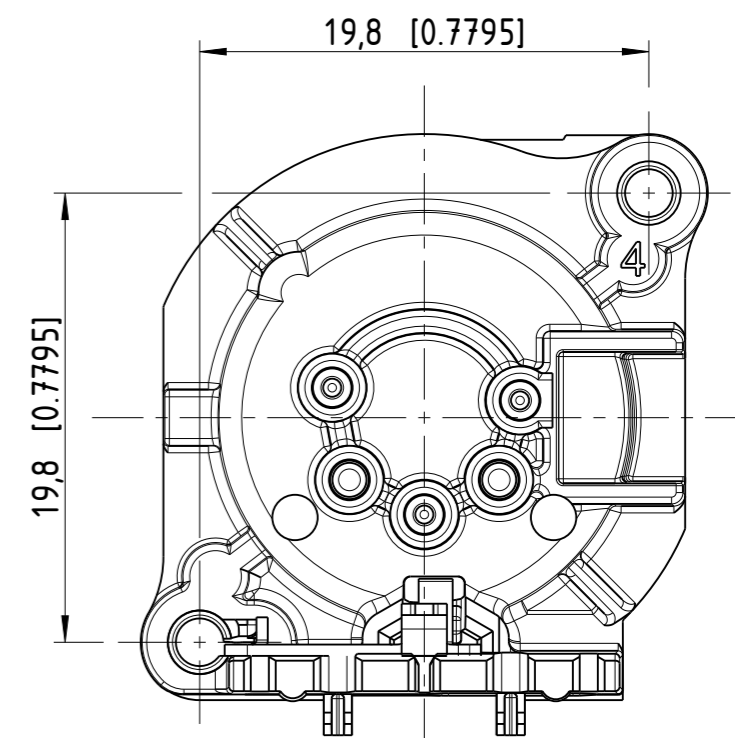


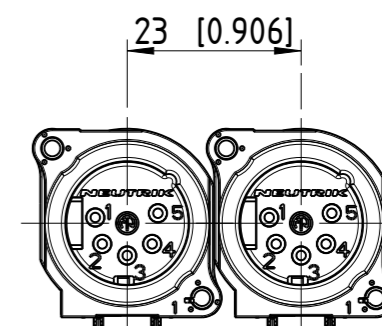
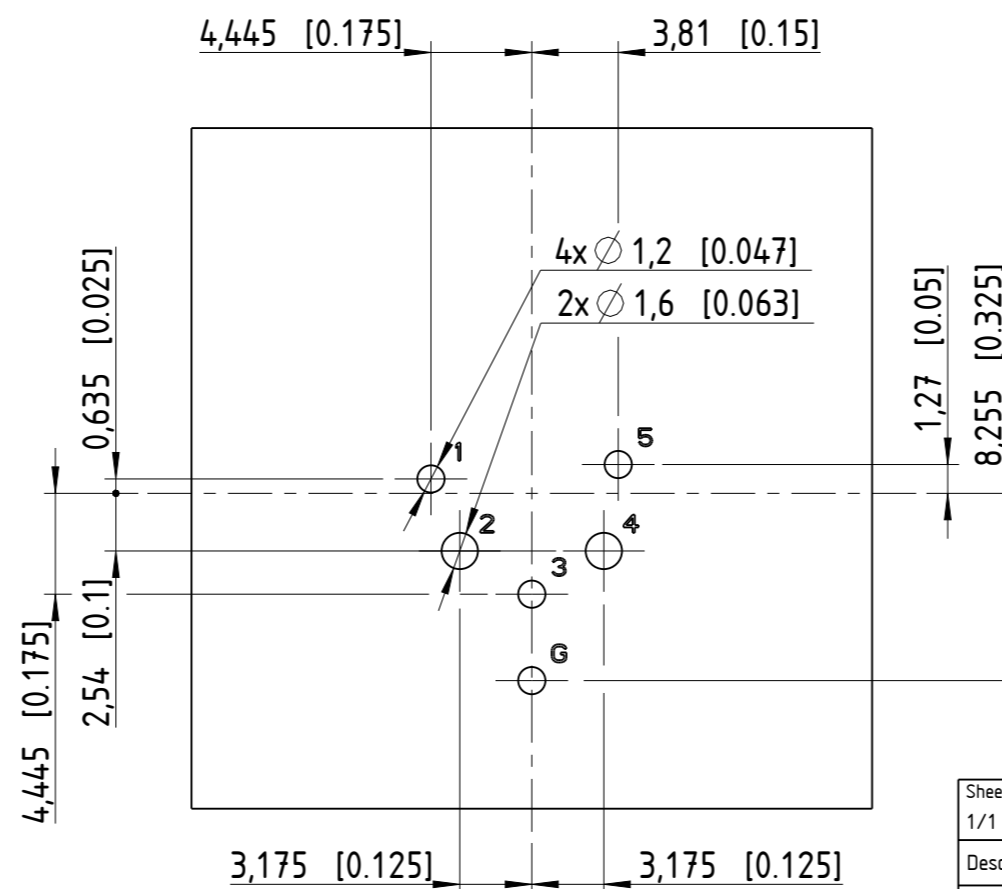
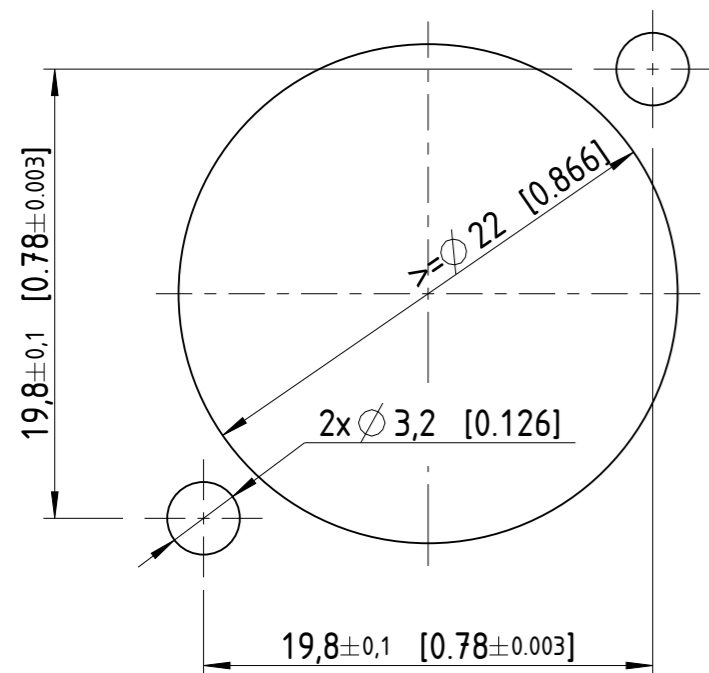
Frontplattenausschnitt (Rückseite)  
Panel cut out (rear side)



Printbohrplan (Bestückungsseite)  
PCB-Layout (component side)



min. Einbauabstand  
min assembling distance



1:1

Sheet Number 1/1	Projection 	Scale 3:1	Format A3	General Tolerancing ISO 2768 mK	
Description			Created on/by	15.01.2003	Mijatovic N.
NC5MBV1			Approved on/by	24.07.2024	Feurle E.
			Article ID	Model ID	Drawing ID
Status			Revision	ECN Number	<b>Neutrik Group</b>
Released			A	20000000	