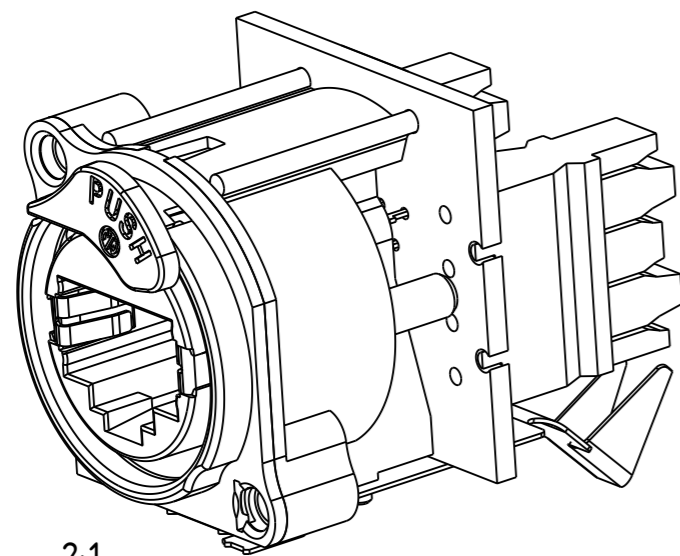
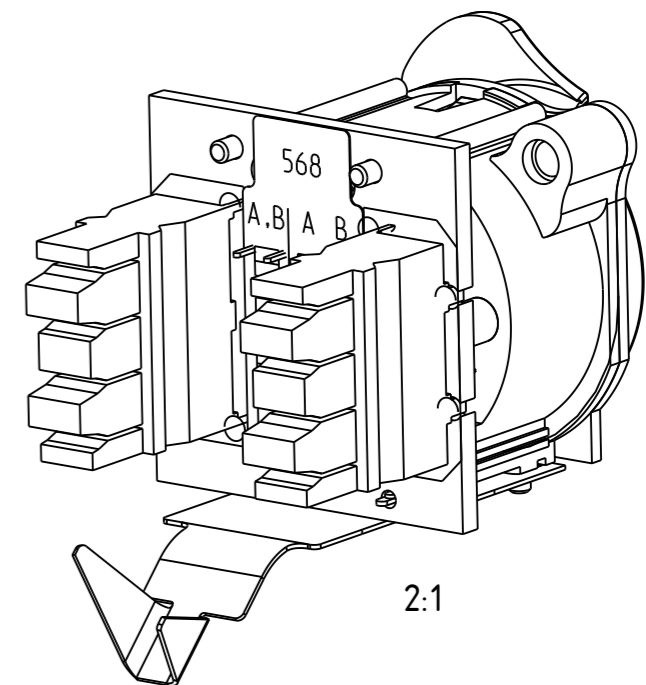
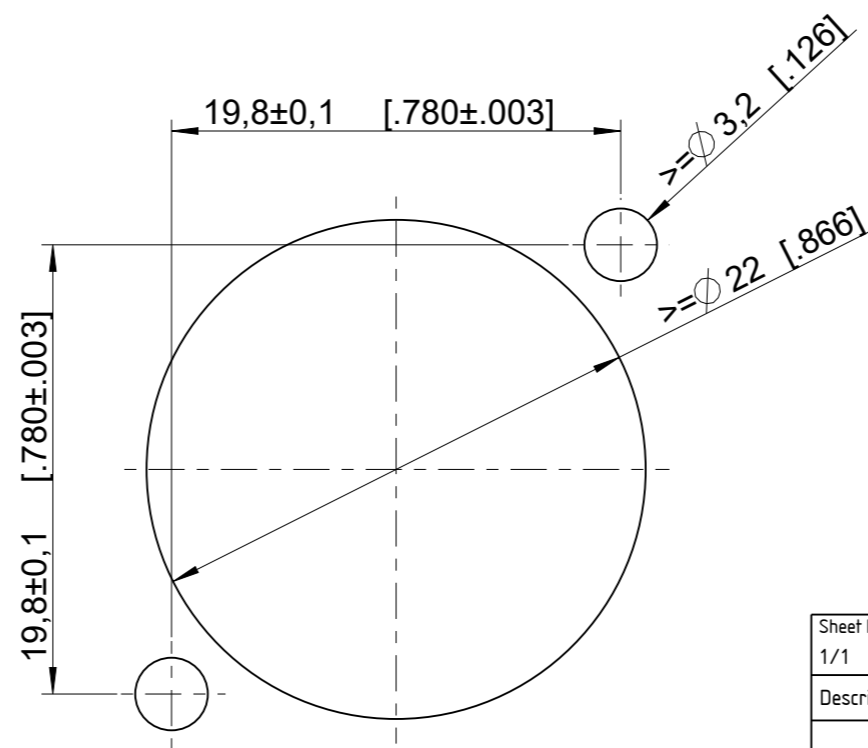


Frontplattenausschnitt Rückseite  
Panel cut out rear side



2:1



2:1

Sheet Number 1/1	Projection 	Scale 3:1	Format A3	General Tolerancing ISO 2768 mK	
Description			Created on/by	01.02.2023	Schmiel T.
NE8FAV-Y110-AE			Approved on/by	01.02.2023	Feurle E.
			Article ID NE8FAV-Y110-AE	Model ID 30010264	Drawing ID 20004203
Status Released	Revision -		ECN Number -		<b>Neutrik Group</b>