



# ASSEMBLY INSTRUCTION

## etherCON® TOP | NE8FDV-B-TOP & NE8FDP-B-TOP



IP 65 RATED

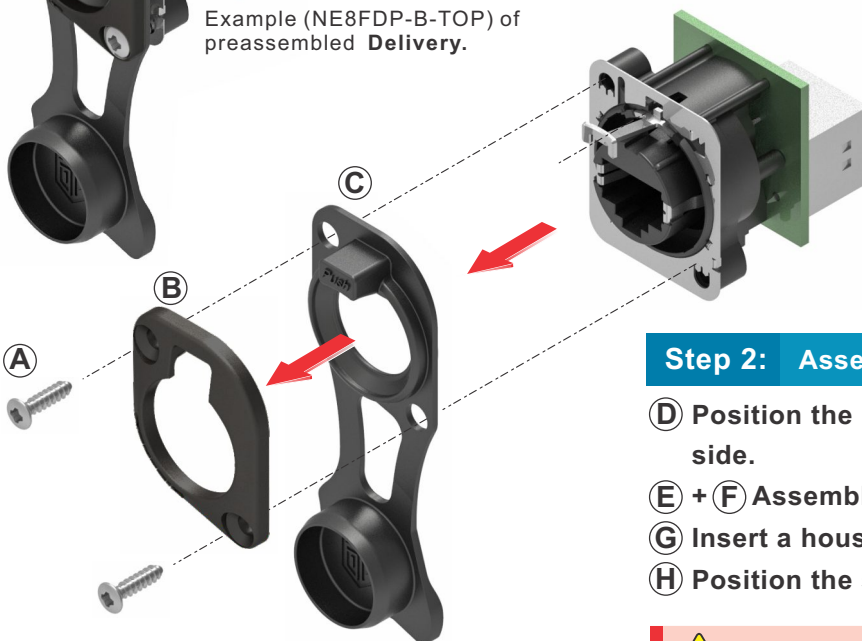
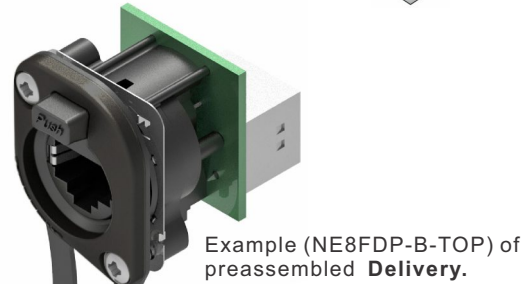


TRUE  
OUTDOOR  
PROTECTION

Panel thickness:  
2.0 - 4.0 mm [0.079 - 0.157"]

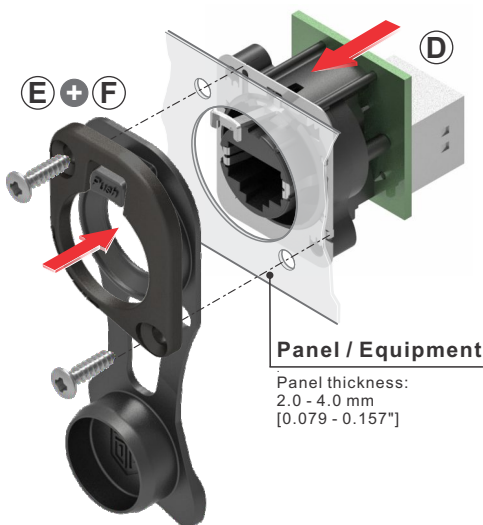
### Step 1: Separate the connector

- (A) Untighten the screw.
- (B) Remove flange
- (C) and gasket.



### Step 2: Assembly

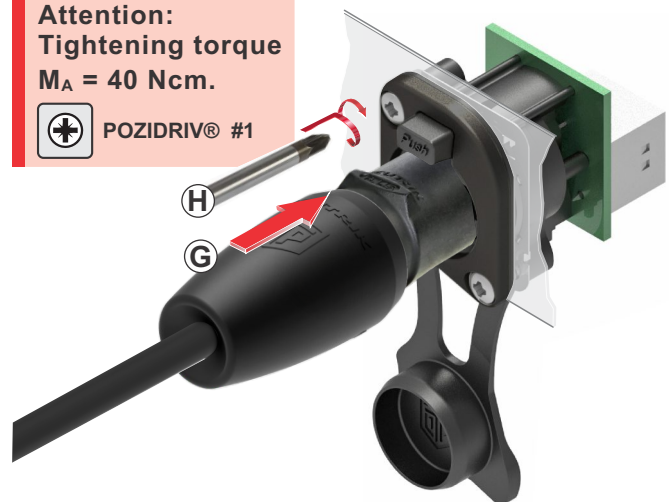
- (D) Position the receptacle onto the panel from rear side.
- (E) + (F) Assemble flange and rubber gasket together.
- (G) Insert a housing for CENTERING the kit.
- (H) Position the screw and fasten it.



**⚠ Attention:**  
Tightening torque  
 $M_A = 40 \text{ Ncm}$ .



POZIDRIV® #1



**NOTE:** Lubricate sealing lip with silicon from time to time.

Neutrik AG LI T: +423 / 237 24 24 F: +423 / 232 53 93  
 Neutrik Americas Inc. USA T: +1 704 / 972 3050 F: +1 704 / 438 9202  
 Neutrik (UK) Ltd. UK T: +44 1983 / 811 441 F: +44 1983 / 811 439  
 Neutrik Vertriebs GmbH DE/NL/AT/DK T: +49 8131 / 280 890 F: +49 8131 / 280 830

Neutrik France FR T: +33 1 / 4131 6750 F: +33 1 / 4131 0511  
 Neutrik Tokyo Ltd. JP T: +81 3 / 3663 4733 F: +81 3 / 3663 4796  
 Neutrik Hong Kong Ltd. HK T: +852 / 2687 6055 F: +852 / 2687 6052

Draft. Nr.: BDA 664 V1 | Update: 2022-10-12 | Data subject to change without prior notice. © 2022 NEUTRIK®, NEUTRIK® are registered trademark of Neutrik AG. ALL RIGHTS RESERVED.

www.neutrik.com