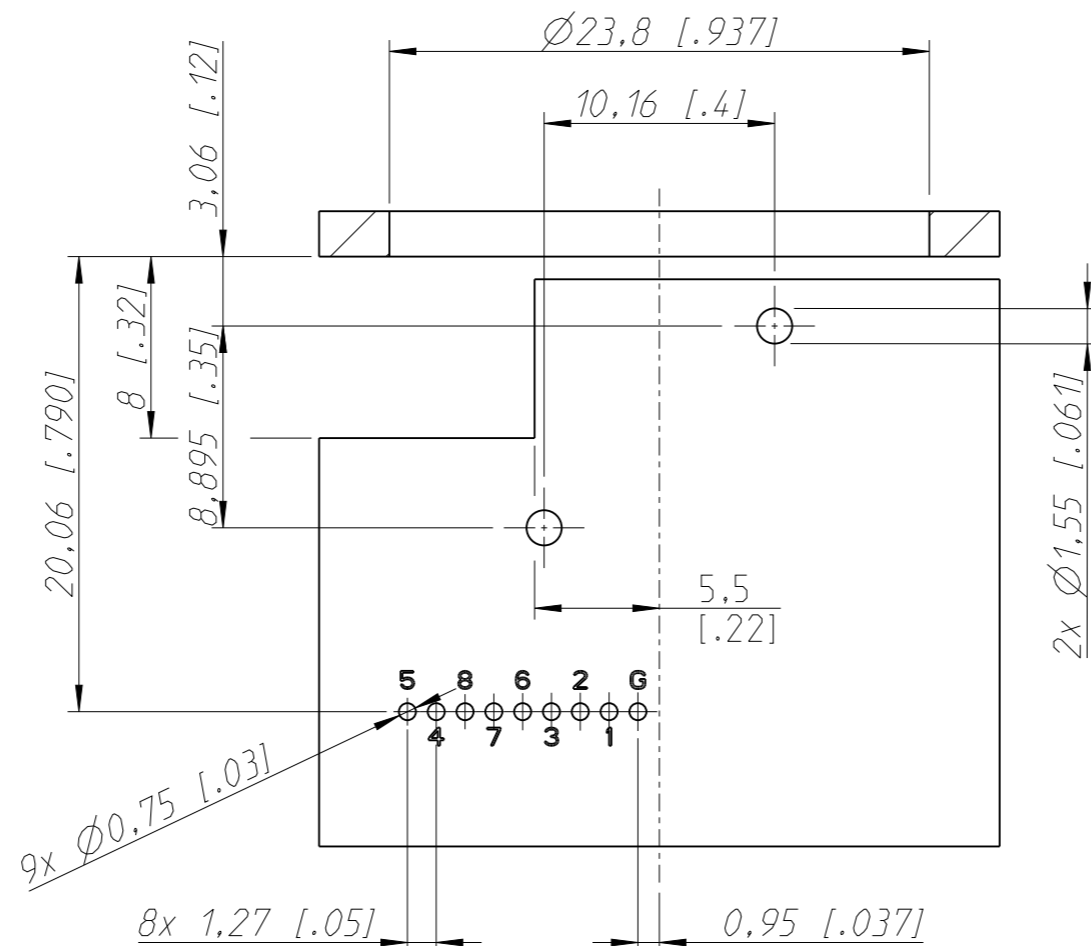
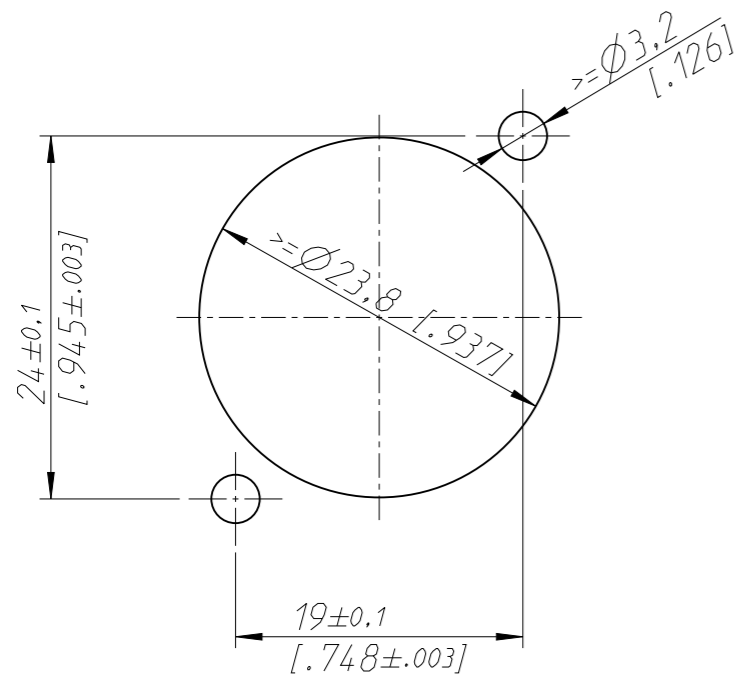


PCB-Layout (component side)

Panel cut out (rear side)



Sheet Number 1/1	Projection ⊕	Scale 3:1	Format A3	Tolerancing ISO 2768-mK	
ECN Number -			Created 13.10.2021	Fritsch S.	
Description NE8FDH-M-GB			Modified n.ä.	n.ä.	
			Approved 04.04.2022	Zechmann K.	
			Status Released		
NEUTRIK		3D Model ID 30009332	Document ID 20003790	Revision -	