



## powerMONITOR Breakout Box

\*\*\* DISCONTINUED \*\*\*

オプティカルコンパワーモニターは光伝送の減衰状況をリアルタイムでモニタリングします。

注1) 品名は搭載コネクタ・モードで変わります

注2) 受注生産品です。都度お問い合わせください

## Frequently Asked Questions

**Is the opticalCON powerMONITOR a fiber optic power meter?**

The powerMONITOR is more than that. It is able to monitor fiber optic attenuation of up to 4 channels simultaneously even while being on air. The cost effective design allows the widely use of the device in order to establish a comprehensive monitoring of all active fiber optic transmission channels.

**Is on air troubleshooting possible with the powerMONITOR?**

Yes, this is one of the most distinguishing features compared to an ordinary fiber optic power meter.

**Can I save maintenance costs with help of the powerMONITOR?**

Yes, you will! The powerMONITOR helps saving money, eliminating the need of fixed maintenance intervals.

It avoids needless cleaning and expensive measurements by reporting attenuation increase related to a fixed value.

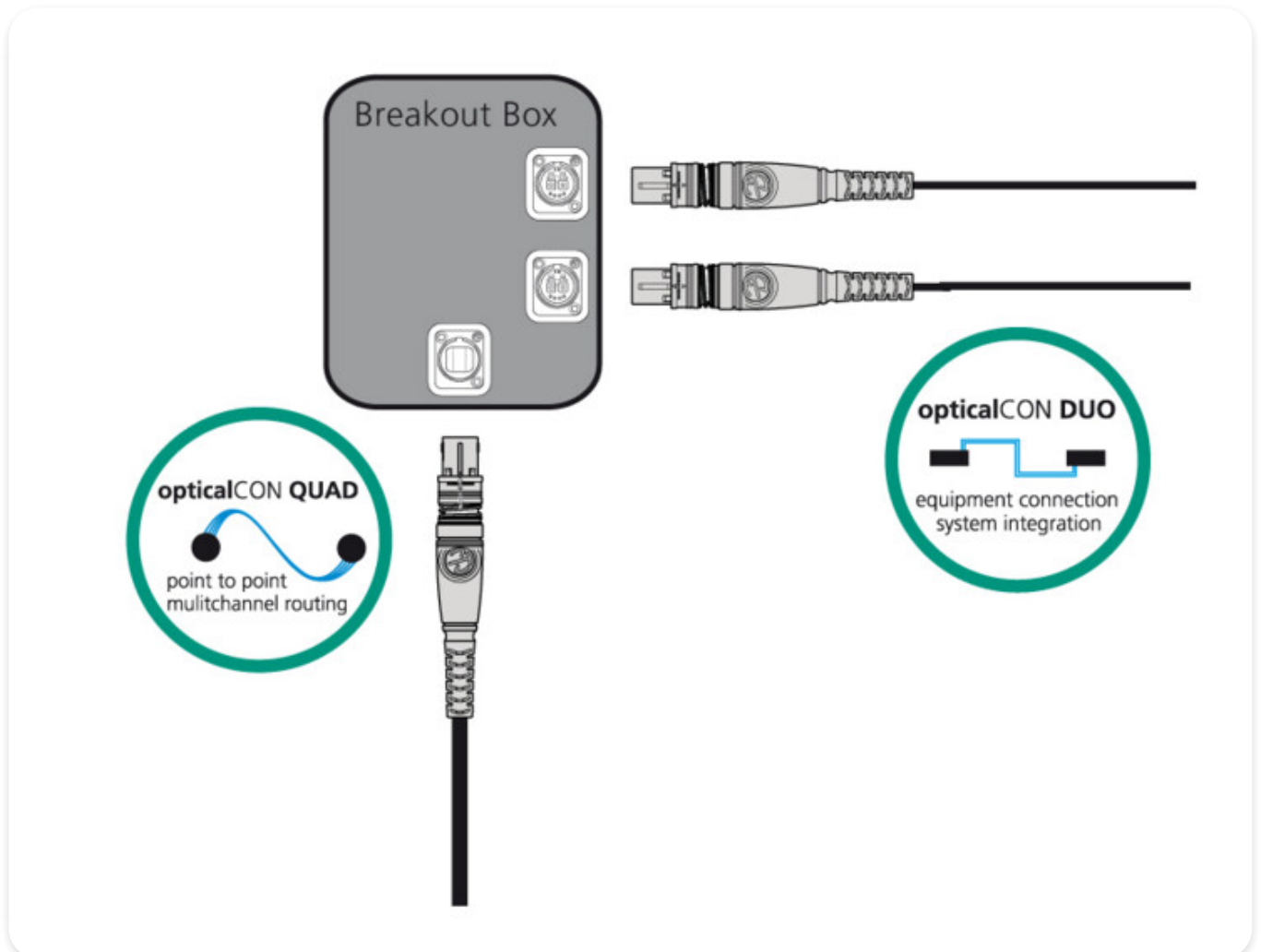
**Does the powerMONITOR simplify work with fiber optics for laymen?**

The powerMONITOR allows defining attenuation thresholds. Attenuation values beyond a defined working range will lead to an alarm, indicating to non fiber specialist clearly that the cable has to be cleaned or that something else happened with the fiber optic transmission line.

Is a network based attenuation monitoring of all active transmission channels possible?  
The hardware of the powerMONITOR is prepared to enable such a possibility. The corresponding software could be developed on request.

## Part numbers

Product	NO4MBB2D-PM-A	NO4SBB2D-PM-A	NO4SABB2D-PM-A
Input	1 x opticalCON QUAD	1 x opticalCON QUAD	1 x opticalCON QUAD
Output	2 x opticalCON DUO	2 x opticalCON DUO	2 x opticalCON DUO
Fiber Mode	Multimode PC	Single Mode PC	Single Mode APC
Color Coding	Black	Blue	Green



Product	NO4MBB4D-A-PM	NO4SBB4D-A-PM	NO4SABB4D-A-PM
Input	1 x opticalCON QUAD	1 x opticalCON QUAD	1 x opticalCON QUAD
Output	4 x opticalCON DUO (Channel A is connected)	4 x opticalCON DUO (Channel A is connected)	4 x opticalCON DUO (Channel A is connected)
Fiber Mode	Multimode PC	Single Mode PC	Single Mode APC
Color Coding	Black	Blue	Green

