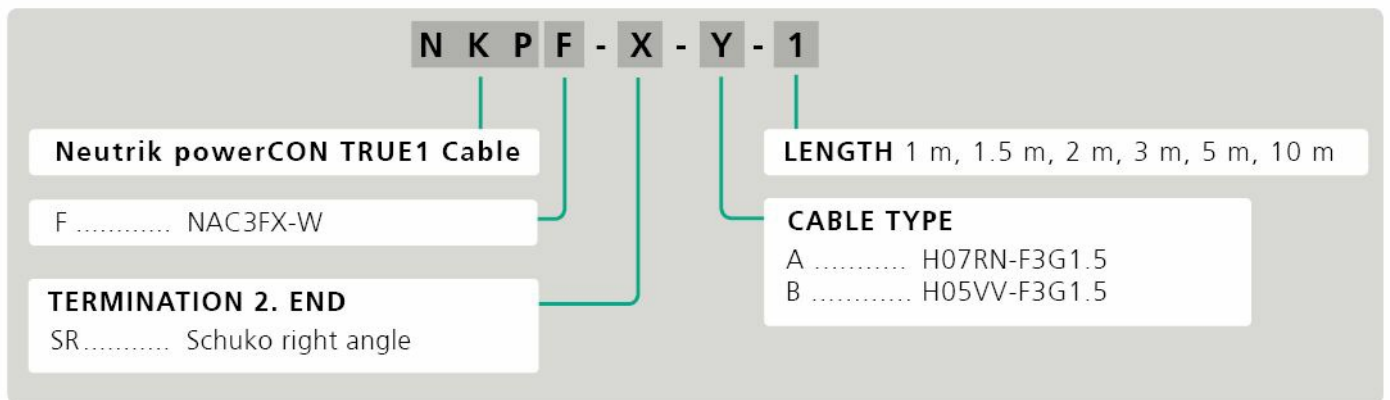




## powerCON TRUE1 - Schuko Power Cord

Ready-made power cord equipped with an overmolded Neutrik powerCON TRUE1 NAC3FX-W and a right angle Schuko connector. The cables are available in different lengths.

### Cable Part Number Breakdown



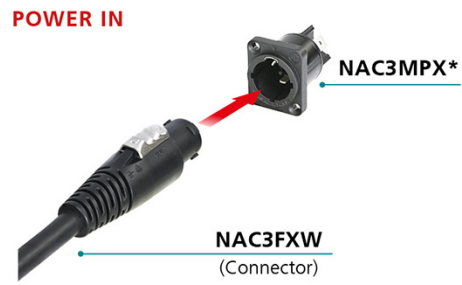
### powerCON TRUE1

The powerCON TRUE1 is a locking waterproof 16 A (USA: 20 A) true mains connector. It replaces appliance couplers wherever a very rugged solution in combination with a locking device is needed in order to guarantee a safe power connection.

The powerCON TRUE1 is a connector with breaking capacity (CBC), i.e. it can be connected or disconnected under load or live.

## Mating scenario powerCON TRUE 1 chassis connector NAC3MPX-W

APPLIANCE INLET



## powerCON TRUE1 Schuko Power Cord

